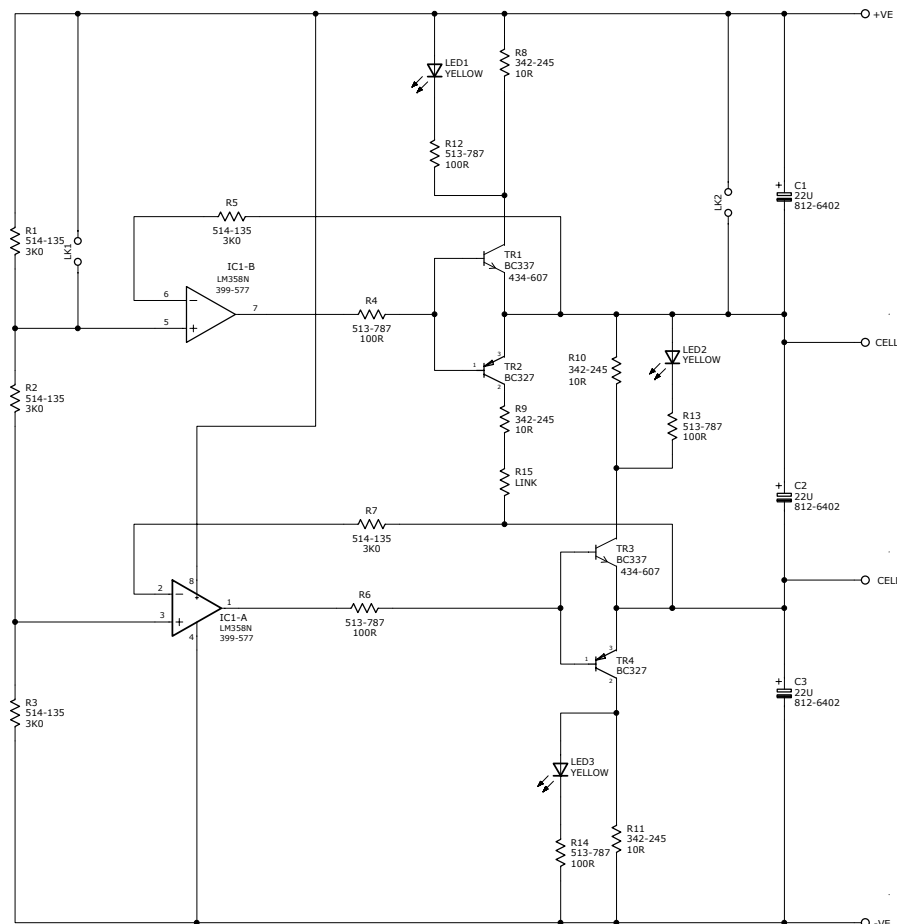


REVISION HISTORY			
REV	DESCRIPTION	REVISION HISTORY	APPD



ISSUE	DRAWN BY	DDMMYY	<COMPANY>	SIZE:
			<COMPANY ADDRESS>	A1
TITLE:			BATTERY CONDITIONER	
DRG NO:			<DRAWING NO>	
SCALE: <SCALE>				SHEET: 1 OF 1